
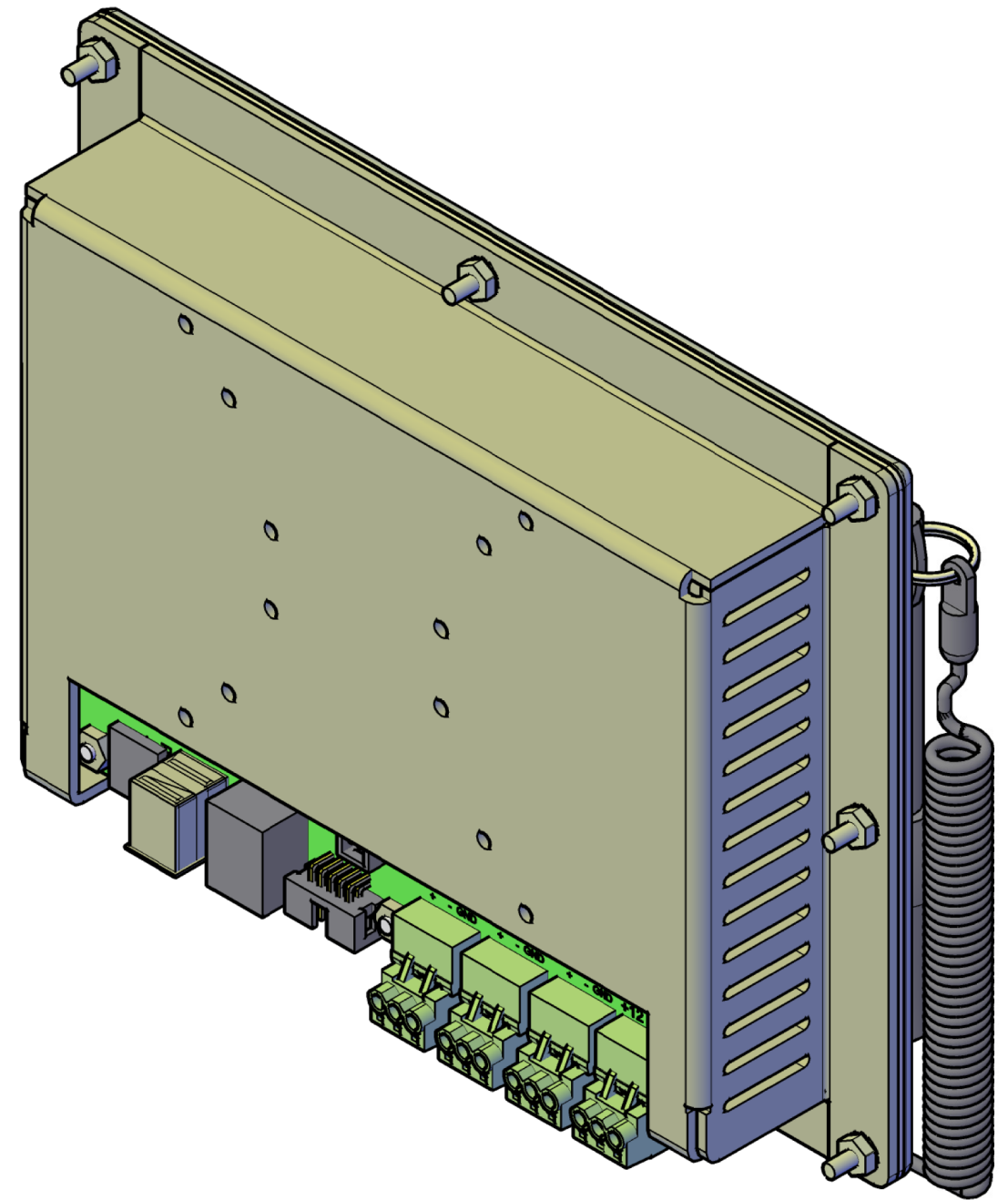
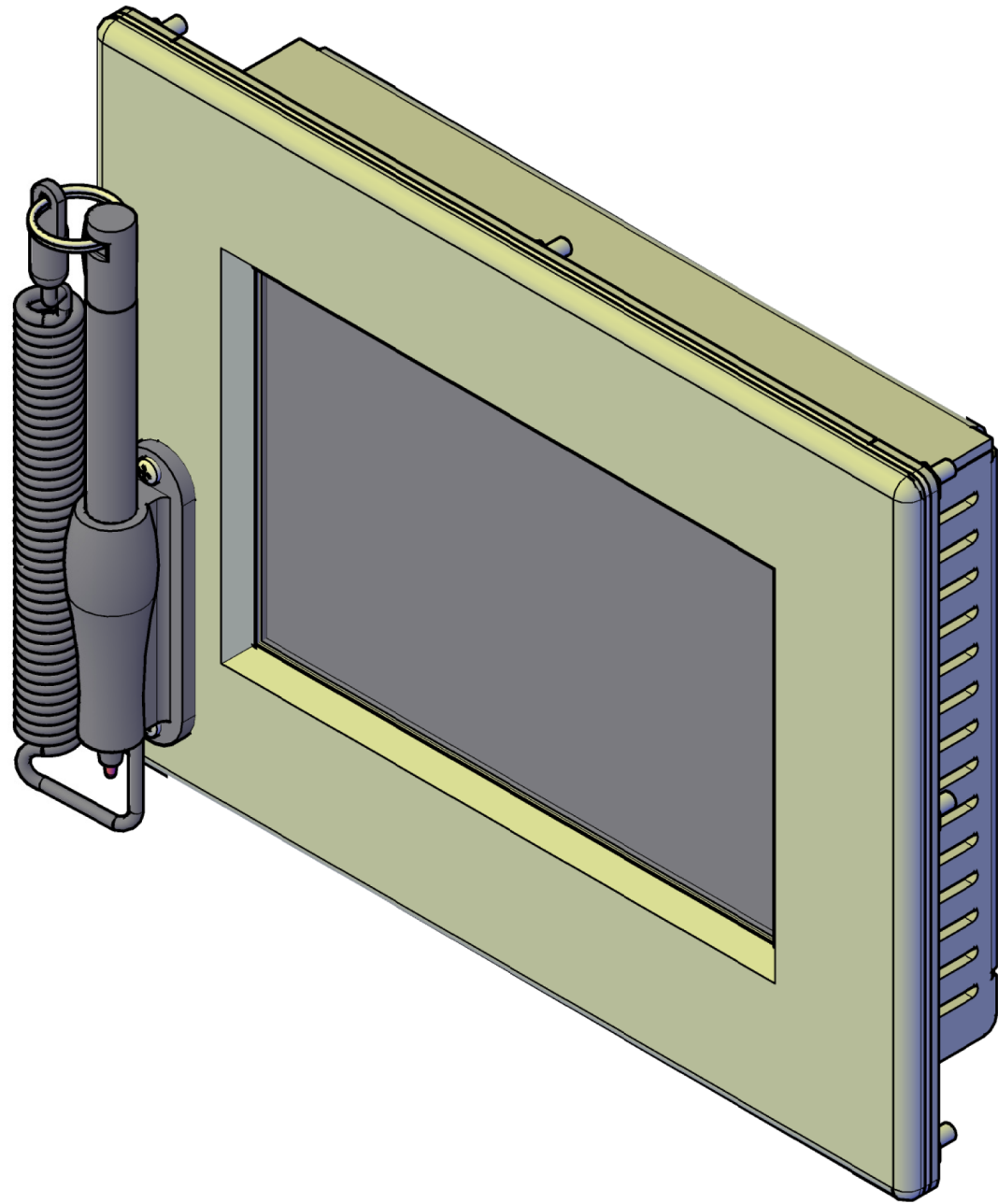
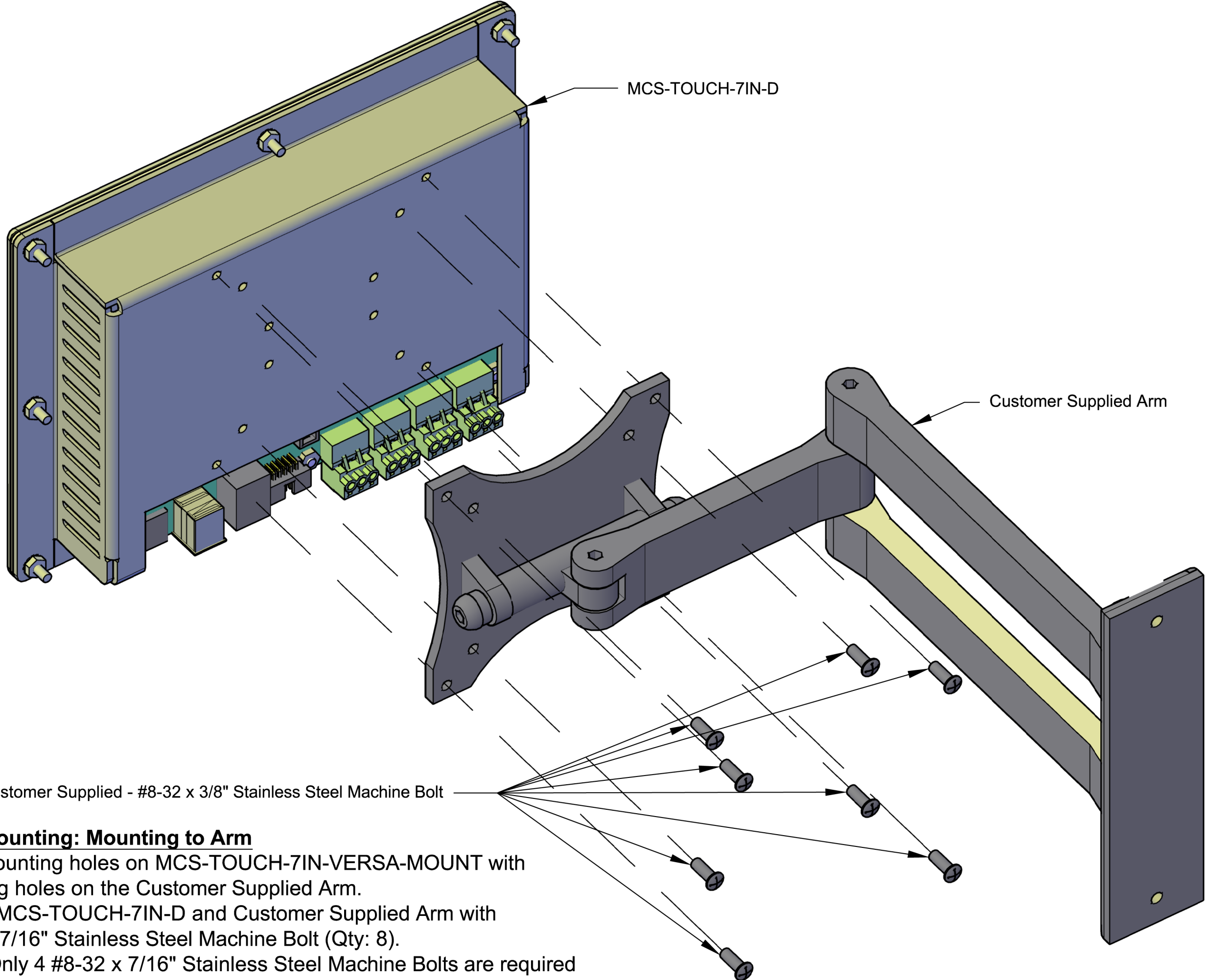


# MCS-TOUCH-7IN-D

			<b>MCS-TOUCH-7IN-D</b>	
			<b>Installation Drawing</b>	
Desc.	Assembly Drawing			
CAD Tech	I.Mitchell	© 2017		
Date	July 02, 2018			
Revision	A	Page 1 of 3		



**As Shipped**



Customer Supplied - #8-32 x 3/8" Stainless Steel Machine Bolt

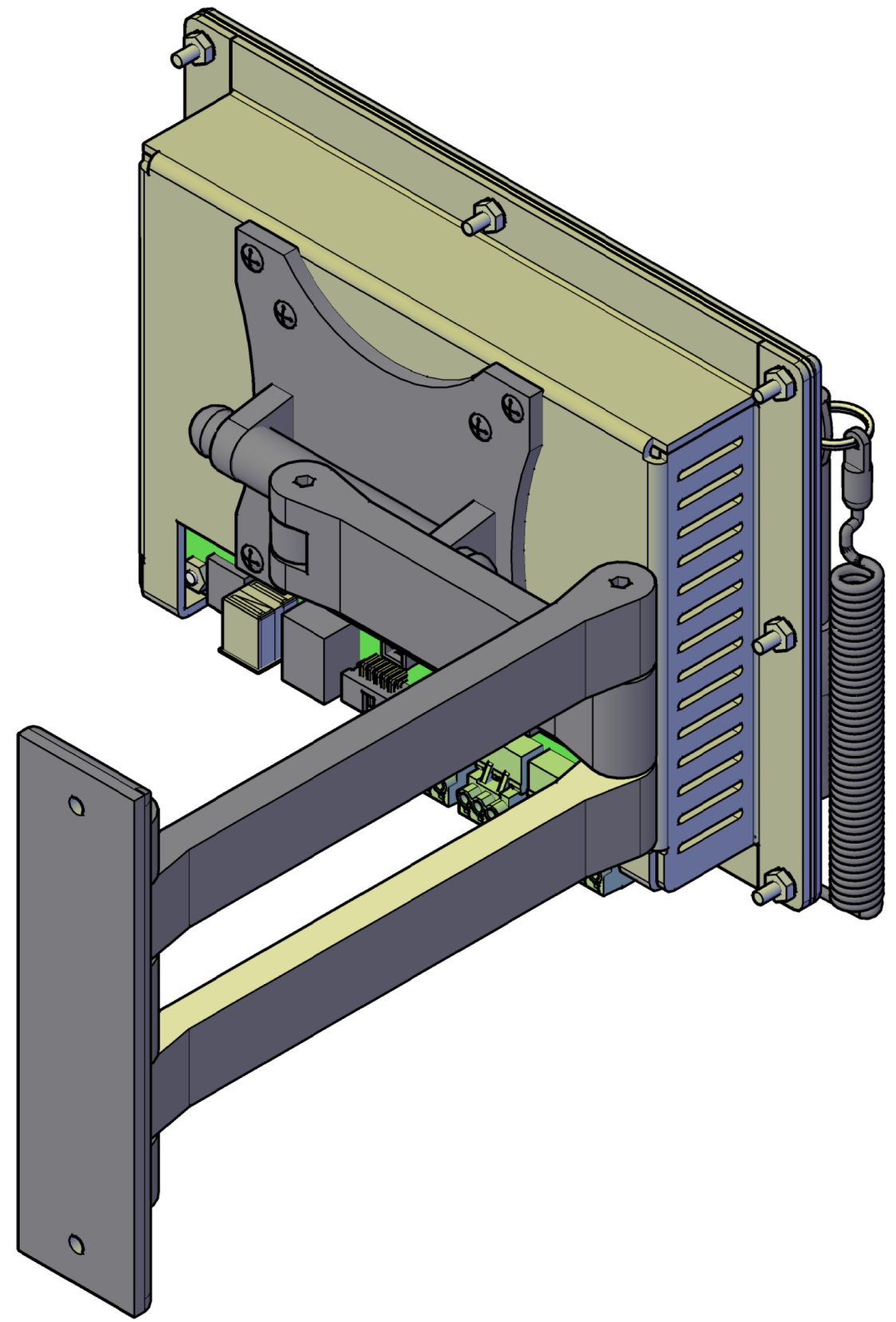
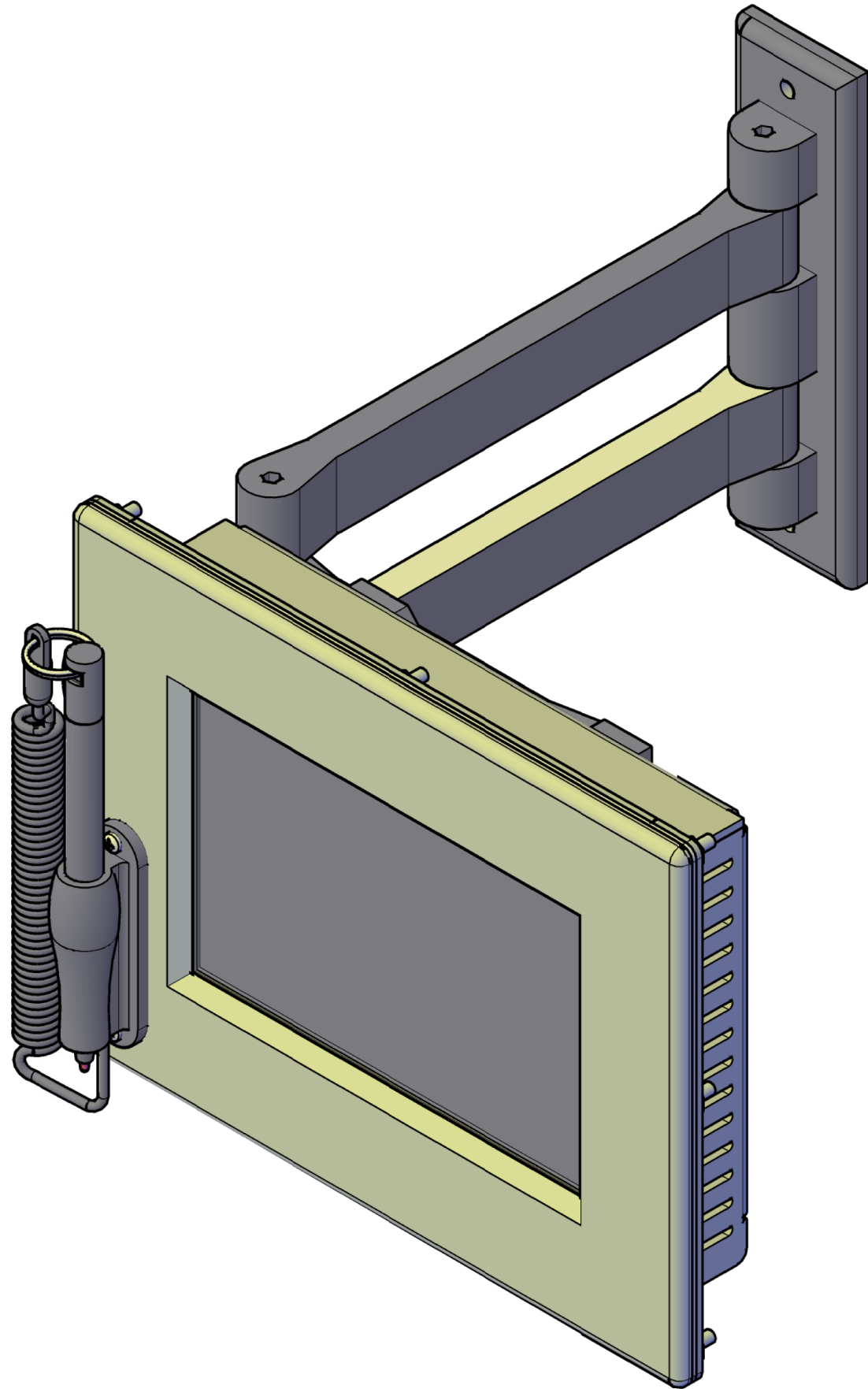
**Alternative Mounting: Mounting to Arm**

- A) Aline Mounting holes on MCS-TOUCH-7IN-VERSA-MOUNT with Mounting holes on the Customer Supplied Arm.
- B) Secure MCS-TOUCH-7IN-D and Customer Supplied Arm with #8-32 x 7/16" Stainless Steel Machine Bolt (Qty: 8).  
(Note: Only 4 #8-32 x 7/16" Stainless Steel Machine Bolts are required for mounting, using either the interior or exterior mounting holes.)

# MCS-TOUCH-7IN-D



Desc.	Assembly Drawing	
CAD Tech	I.Mitchell	© 2017
Date	July 02, 2018	
Revision	A	Page 3 of 3



**After Installed**